

DS-2DE5232IW-AE (S5) 2 MP 32 × IR Network Speed Dome

AcuSense



Hikvision DS-2DE5232IW-AE (S5) 2 MP 32 × IR Network Speed Dome adopts 1/2.8" progressive scan CMOS chip. With the 32 × optical zoom lens, the camera offers more details over expansive areas.

This series of cameras can be widely used for wide ranges of high-definition, such as the rivers, roads, railways, airports, squares, parks, scenic spots, and venues, etc.

Empowered by deep learning algorithms, Hikvision AcuSense technology brings human and vehicle targets classification alarms to front- and back-end devices. The system focuses on human and vehicle targets, vastly improving alarm efficiency and effectiveness.

- Focuses on human and vehicle targets classification based on deep learning
- Support face capture. Up to 5 faces captured at the same time
- 1/2.8" Progressive Scan CMOS
- Up to 1920 × 1080 @30fps resolution
- Excellent low-light performance with powered-by-DarkFighter technology
- 32 × optical zoom, 16 × digital zoom
- WDR, HLC, BLC, 3D DNR, Defog, Regional Exposure, Regional Focus, Rapid Focus
- Up to 150 m IR distance
- 24 VAC & Hi-PoE
- Support H.265+/H.265 video compression



▪ Specification

| Camera Module | |
|-----------------------|--|
| Image Sensor | 1/2.8" progressive scan CMOS |
| Min. Illumination | Color: 0.005 Lux @ (F1.2, AGC ON), B/W: 0.001 Lux @ (F1.2, AGC ON), 0 Lux with IR |
| Shutter Speed | 1/1 s to 1/30000 s |
| Slow Shutter | yes |
| Focus | semi-auto, manual, auto |
| Day & Night | ICR |
| Day/Night Switch | day, night, auto, scheduled-switch |
| BLC | yes |
| WDR | 120 dB WDR |
| HLC | yes |
| 3D DNR | yes |
| Defog | yes |
| EIS | yes |
| Regional Exposure | yes |
| Regional Focus | yes |
| Image Settings | saturation, brightness, contrast, sharpness |
| White Balance | auto, ATW, sodium lamp, fluorescent lamp, indoor, outdoor, MWB, Locked WB |
| Digital Zoom | 16 × |
| Optical Zoom | 32 × |
| Privacy Mask | up to 24 masks, polygon region, mosaic mask, mask color configurable |
| SNR | > 52dB |
| Lens | |
| Focal Length | 4.8 mm to 153 mm, 32 × Optical |
| Zoom Speed | approx. 4.2 s |
| FOV | Horizontal field of view: 58.4° to 2.14° (wide-tele), Vertical field of view: 33.8° to 1.2° (wide-tele), Diagonal field of view: 65.6° to 2.46° (wide-tele) |
| Aperture | F1.2 |
| PTZ | |
| Movement Range (Pan) | 360° |
| Movement Range (Tilt) | -15° to 90°(auto flip) |
| Pan Speed | pan speed: configurable from 0.1° to 120°/s; preset speed: 120°/s |
| Tilt Speed | tilt speed: configurable from 0.1° to 80°/s, preset speed 80°/s |
| Proportional Zoom | yes |
| Presets | 300 |
| Patrol Scan | 8 patrols, up to 32 presets for each patrol |
| Pattern Scan | 4 pattern scans |
| Power-off Memory | yes |
| Park Action | Preset ,pattern scan, patrol scan, auto scan, tilt scan, random scan, frame scan, panorama scan |
| 3D Positioning | yes |
| PTZ Status Display | yes |
| Preset Freezing | yes |
| Scheduled Task | Preset, pattern scan, patrol scan, auto scan, tilt scan, random scan, frame scan, panorama scan, dome reboot, dome adjust, aux output |
| Video | |
| Max. Resolution | 1920 × 1080 |
| Stream Type | main stream, sub-stream, third stream |
| Main Stream | 50Hz: 25fps (1920 × 1080, 1280 × 960, 1280 × 720) 60Hz: 30fps (1920 × 1080, 1280 × 960, 1280 × 720) |
| Sub-Stream | 50Hz: 25fps (704 × 576, 640 × 480, 352 × 288) 60Hz: 30fps (704 × 480, 640 × 480, 352 × 240) |
| Third Stream | 50Hz: 25fps (1920 × 1080, 1280 × 960, 1280 × 720, 704 × 576, 640 × 480, 352 × 288) 60Hz: 30fps (1920 × 1080, 1280 × 960, 1280 × 720, 704 × 480, 640 × 480, 352 × 240) |
| Video Compression | H.265, H.264, MJPEG |
| Video Bit Rate | 32 kbps to 16384 kbps |
| H.264 Type | baseline profile, main profile, high profile |

| | |
|-------------------------------|---|
| H.265 Type | main profile |
| H.264+ | yes |
| H.265+ | yes |
| SVC | yes |
| ROI | dynamic face tracking, fixed region, main stream, sub-stream and third stream respectively support eight fixed areas |
| Audio | |
| Audio Compression | G.711alaw, G.711ulaw, G.722.1, G.726, MP2L2, PCM |
| Audio Bit rate | MP2L2: 32 kbps, 40 kbps, 48 kbps, 56 kbps, 64 kbps, 80 kbps, 96 kbps, 112 kbps, 128 kbps, 144 kbps, 160 kbps, 192 kbps |
| Audio Sampling Rate | MP2L2: 16 kHz, 32 kHz, 48 kHz, PCM: 8 kHz, 16 kHz, 32 kHz, 48 kHz |
| Environment Noise Filtering | yes |
| Smart Features | |
| Face Capture | yes |
| Basic Event | audio exception, motion detection, video tampering alarm, exception |
| Smart Event | intrusion detection, line crossing detection, region entrance detection, region exiting detection, unattended baggage detection, object removal detection |
| Smart Record | ANR, Dual-VCA |
| Alarm Linkage | preset, patrol scan, pattern scan, memory card video recording, alarm output, sending email, notify surveillance center, upload to FTP |
| Perimeter Protection | Line crossing, intrusion, region entrance, region exiting Support alarm triggering by specified target types (human and vehicle) |
| Network | |
| Network Storage | NAS (NFS, SMB/ CIFS), ANR |
| Protocols | IPv4/IPv6, HTTP, HTTPS, 802.1x, Qos, FTP, SMTP, UPnP, SNMP, DNS, DDNS, NTP, RTSP, RTCP, RTP, TCP/IP, UDP, IGMP, ICMP, DHCP, PPPoE, Bonjour |
| API | Hik-Connect, Open-ended API, ONVIF (Profile S, Profile G), ISAPI, Hikvision SDK, Third-party management platform, ISUP |
| Simultaneous Live View | 20 |
| User/Host | 32 |
| Smooth Streaming | yes |
| Security Measures | Authenticated username and password, MAC address binding, HTTPS encryption, 802.1X authenticated access, IP address filter |
| Client | iVMS-4200, Hik-Connect, HikCentral |
| Web Browser | IE 8 to 11, Chrome 57+, Firefox 52+, Safari 12+ |
| Interface | |
| Communication Interface | RJ45, self-adaptive 10M/100M Ethernet port |
| On-board Storage | support microSD/microSDHC/microSDXC cards, up to 256 GB |
| Alarm Input | 2 alarm inputs |
| Alarm Output | 1 alarm output |
| Audio Input | 1 audio input, 2.0 to 2.4Vp-p, 1k Ohm±10%, |
| Audio Output | 1 audio output, line level, impedance: 600 Ω |
| Supplement Light | |
| IR Distance | 150 m |
| General | |
| Power | 24 VAC, Hi-PoE |
| Power Consumption and Current | Max. 30 W, including max. 10 W for IR |
| Operating Conditions | -30°C to 65°C (-22°F to 149°F); humidity lower than 90%RH |
| Reset | yes |
| Material | ADC 12, PC, PC+10% GF |
| Dimensions | Φ 208 mm × 345 mm (Φ 8.19" × 13.58") |
| Weight | Approx. 3.3 kg (7.28 lb) |
| Approval | |
| Protection | IP66 Standard, 6000V Lightning Protection, Surge Protection and Voltage Transient Protection |

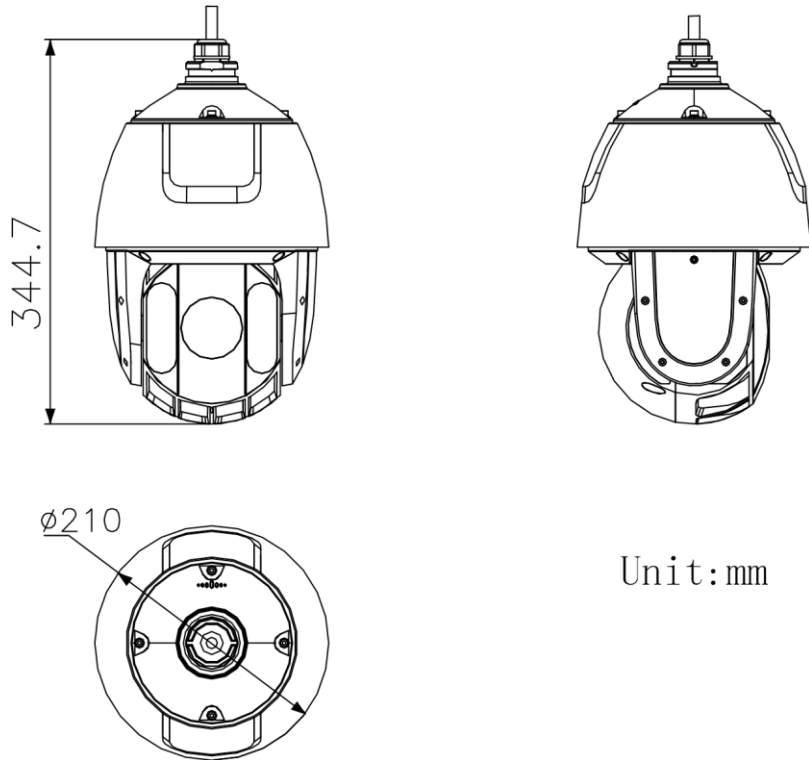
▪ DORI

The DORI (detect, observe, recognize, identify) distance gives the general idea of the camera ability to distinguish persons or objects within its field of view. It is calculated based on the camera sensor specification and the criteria given by EN 62676-4:

2015.

| DORI | Detect | Observe | Recognize | Identify |
|----------------|----------------------|---------------------|---------------------|--------------------|
| Defintion | 25 px/m | 63 px/m | 125 px/m | 250 px/m |
| Distance(Tele) | 2046.9 m (6715.6 ft) | 812.3 m (2665.0 ft) | 409.4 m (1343.2 ft) | 204.7 m (671.2 ft) |

▪ **Dimension**



Unit:mm

▪ **Accessory**
▪ **Included**

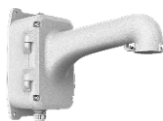


DS-1602ZJ
Wall Mount

▪ **Optional**



DS-1604ZJ-Box-Corner
Wall Mount with Junction
Box



DS-1604ZJ-Box
Wall Mount with Junction
Box



DS-1604ZJ
Wall Mount



DS-1619ZJ
Gooseneck Mount



DS-1682ZJ
Extendable Pole for Pendant
Mount



DS-1604ZJ-pole
Vertical Pole Mount



DS-1604ZJ-Box-Pole
Vertical Pole Mount with
Junction Box



DS-1604ZJ-Corner
Corner Mount



DS-1661ZJ
Pendant Mount



DS-1663ZJ
Ceiling Mount



DS-1681ZJ
Installation Adapter



DS-1673ZJ
Horizontal Pole Mount



DS-1660ZJ
Parapet Wall Mount



DS-1662ZJ
Pendant Mount



DS-1667ZJ
Extendable Pole for Pendant
Mount



HKA-A24250-230(EU)
HKKD-12077(USA)
HKA-A24250-230-BS(UK)
PSE-A1525/5060(JP)
Power Adapter



DS-1005KI
USB Joy-stick



LAS60-57CN-RJ45
Hi-PoE midspan



DS-1100KI
Network Keyboard

**DS-1673ZJ should be used with DS-1661ZJ or DS-1602ZJ.*

▪ **Available Model**

DS-2DE5232IW-AE (S5)



Distributed by



HIKVISION®

Headquarters

No.555 Qianmo Road, Binjiang District,
Hangzhou 310051, China
T +86-571-8807-5998
overseasbusiness@hikvision.com

Hikvision USA

T +1-909-895-0400
sales.usa@hikvision.com

Hikvision Australia

T +61-2-8599-4233
salesau@hikvision.com

Hikvision India

T +91-22-28469900
sales@pramahikvision.com

Hikvision Canada

T +1-866-200-6690
sales.canada@hikvision.com

Hikvision Thailand

T +662-275-9949
sales.thailand@hikvision.com

Hikvision Europe

T +31-23-5542770
sales.eu@hikvision.com

Hikvision Italy

T +39-0438-6902
info.it@hikvision.com

Hikvision Brazil

T +55 11 3318-0050
Latam.support@hikvision.com

Hikvision Turkey

T +90 (216)521 7070- 7074
sales.tr@hikvision.com

Hikvision Malaysia

T +601-7652-2413
sales.my@hikvision.com

Hikvision UK & Ireland

T +01628-902140
sales.uk@hikvision.com

Hikvision South Africa

Tel: +27 (10) 0351172
sale.africa@hikvision.com

Hikvision France

T +33(0)1-85-330-450
info.fr@hikvision.com

Hikvision Kazakhstan

T +7-727-9730667
nikia.panfilov@hikvision.ru

Hikvision Vietnam

T +84-974270888
sales.vt@hikvision.com

Hikvision UAE

T +971-4-4432090
salesme@hikvision.com

Hikvision Singapore

T +65-6684-4718
sg@hikvision.com

Hikvision Spain

T +34-91-737-16-55
info.es@hikvision.com

Hikvision Tashkent

T +99-87-1238-9438
uzb@hikvision.ru

Hikvision Hong Kong

T +852-2151-1761
info.hk@hikvision.com

Hikvision Russia

T +7-495-669-67-99
saleru@hikvision.com

Hikvision Korea

T +82-(0)31-731-8817
sales.korea@hikvision.com

Hikvision Poland

T +48-22-460-01-50
info.pl@hikvision.com

Hikvision Indonesia

T +62-21-2933759
Sales.Indonesia@hikvision.com

Hikvision Colombia

sales.colombia@hikvision.com